



# **Polaroid**

## **Parts Catalog**

# **ID-4000**

March 1995

---

*TO ORDER PARTS, CONTACT:*

**Polaroid Corporation**  
**Parts Logistics Department**  
**201 Burlington Road**  
**Bedford MA 01730**  
**TEL: 1.800.343.4846**  
**FAX: 1.781.386.5606**

Give PART NUMBER, full PART NAME, and QUANTITY desired. Merchandise returns accepted only upon written authorization. Parts carry a replacement warranty for 90 days from date of purchase.

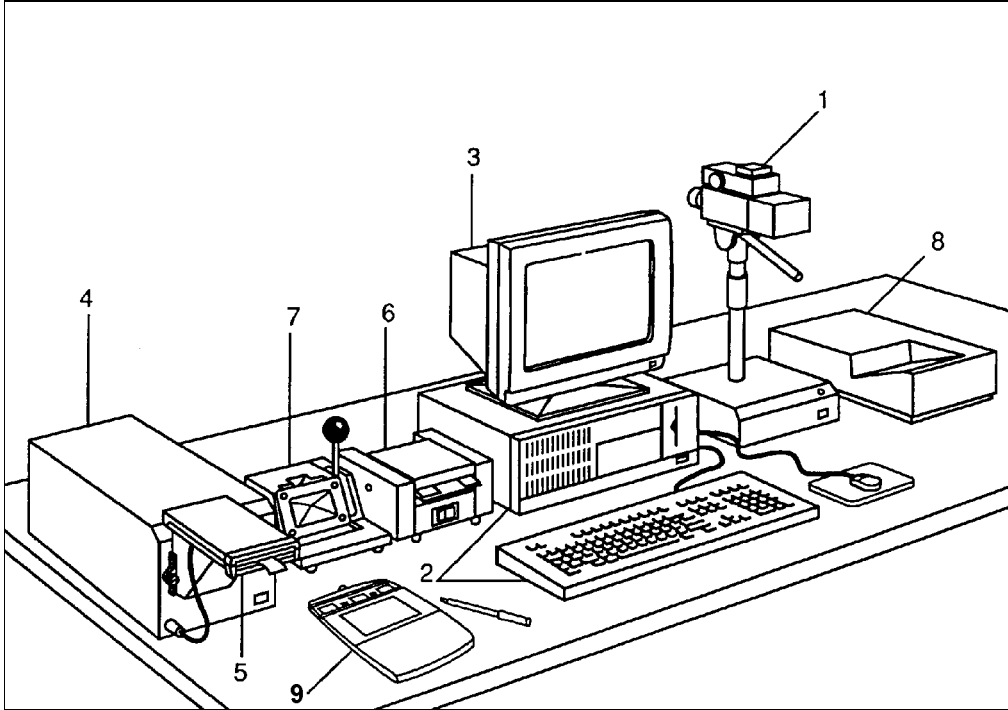
***Americas Business Center***  
**Technical Services**  
**TEL: 1.781.386.5309**  
**FAX: 1.781.386.5988**

[This page intentionally left blank]

ID-4000 FOR WINDOWS PARTS CATALOG  
TABLE OF CONTENTS

Description	Plate No./Parts List No.
FILM SYSTEM	1
THERMAL SYSTEM	2
CONTROL UNIT	3
CAMERA, STROBE AND BASE	4
FILM SYSTEM CABLES	5
TX-1500 THERMAL SYSTEM CABLES	6
TX-2000 THERMAL SYSTEM CABLES	7
ID-4000 VERIFICATION STATION	8
OPTIONS	9

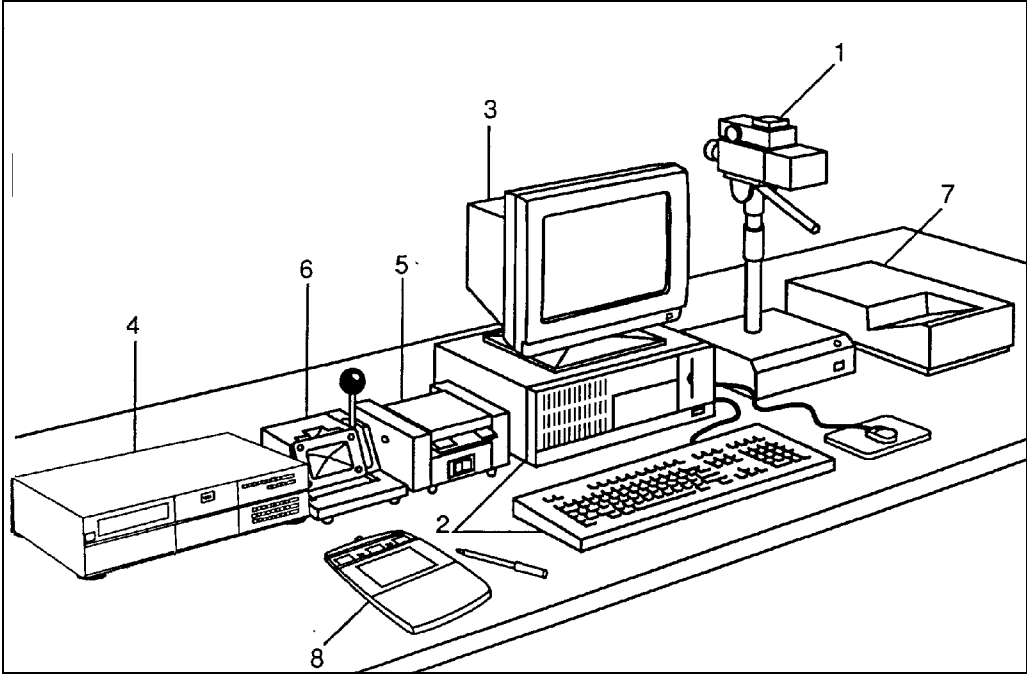
PLATE 1  
ID-4000 FILM SYSTEM



PARTS LIST 1  
ID-4000 FILM SYSTEM

KEY NO.	PART NO.	PART NAME
1	1D 1094D	Universal Input Assembly
2	1E5835A 1E3815A 1E3815A	Tier 1: IDE System Control Unit Tier 2: IDE System Control Unit Tier 3: IDE System Control Unit
3	1B8397A	HP 13" Color Monitor
4	618493	CI 5000+
5	787771C or 617413	Film Back
6	616990 617394	Film Laminator 110 Volts Film Laminator 220 Volts
7	616991 616993 616995	CR60 Die Cutter Film CR79 Die Cutter Film CR80 Die Cutter Film
8	618334 618333	Polaroid Color Scanner CS500i (110 Volts) Polaroid Color Scanner CS500i (220 Volts)
9	1D9793A	Inforite HP100 Signature Tablet (110 Volts)

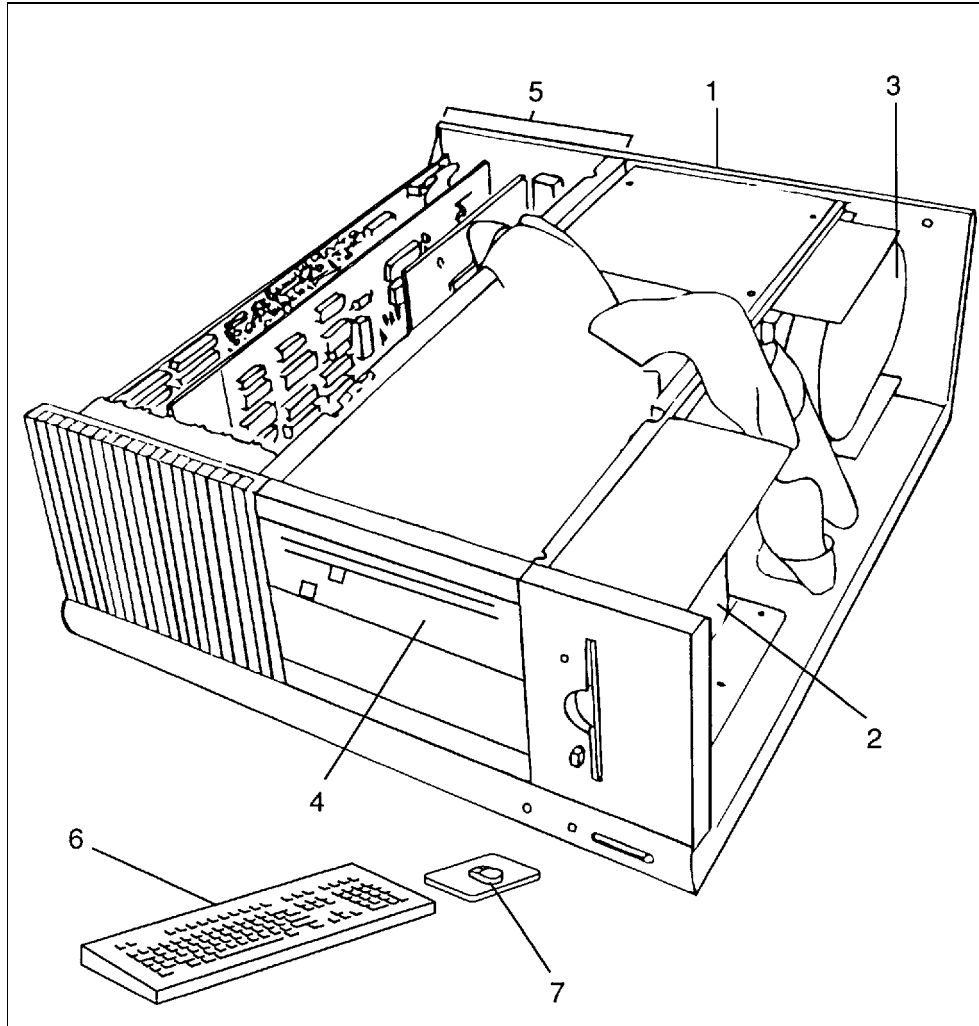
PLATE 2  
ID-4000 THERMAL SYSTEM



PARTS LIST 2  
ID-4000 THERMAL SYSTEM

KEY NO.	PART NO.	PART NAME
1	1D1094D	Universal Input Assembly
2	1E5835A 1E3815A 1E3815A	Tier 1: IDE System Control Unit Tier 2: IDE System Control Unit Tier 3: IDE System Control Unit
3	1B8397A	HP 13" Color Monitor
4	616226 1E3803A	TX-1500 Thermal Printer TX-2000 (VY-300) Thermal Printer
5	616564 TBD	Thermal Laminator (110 Volts) Thermal Laminator (220 Volts)
6	619190 616992 619191 616996 TBD 616994	CR-60 Thermal Die Cutter for TX-2000 CR-60 Thermal Die Cutter for TX-1500 CR-80 Thermal Die Cutter for TX-2000 CR-80 Thermal Die Cutter for TX-1500 CR-79 Thermal Die Cutter for TX-2000 CR-79 Thermal Die Cutter for TX-1500
7	618334 618333	Polaroid Color Scanner CS500i (110 Volts) Polaroid Color Scanner CS500i (220 Volts)
8	1D9793A	Inforite HP100 Signature Tablet (110 Volts)

PLATE 3  
ID-4000 CONTROL UNIT

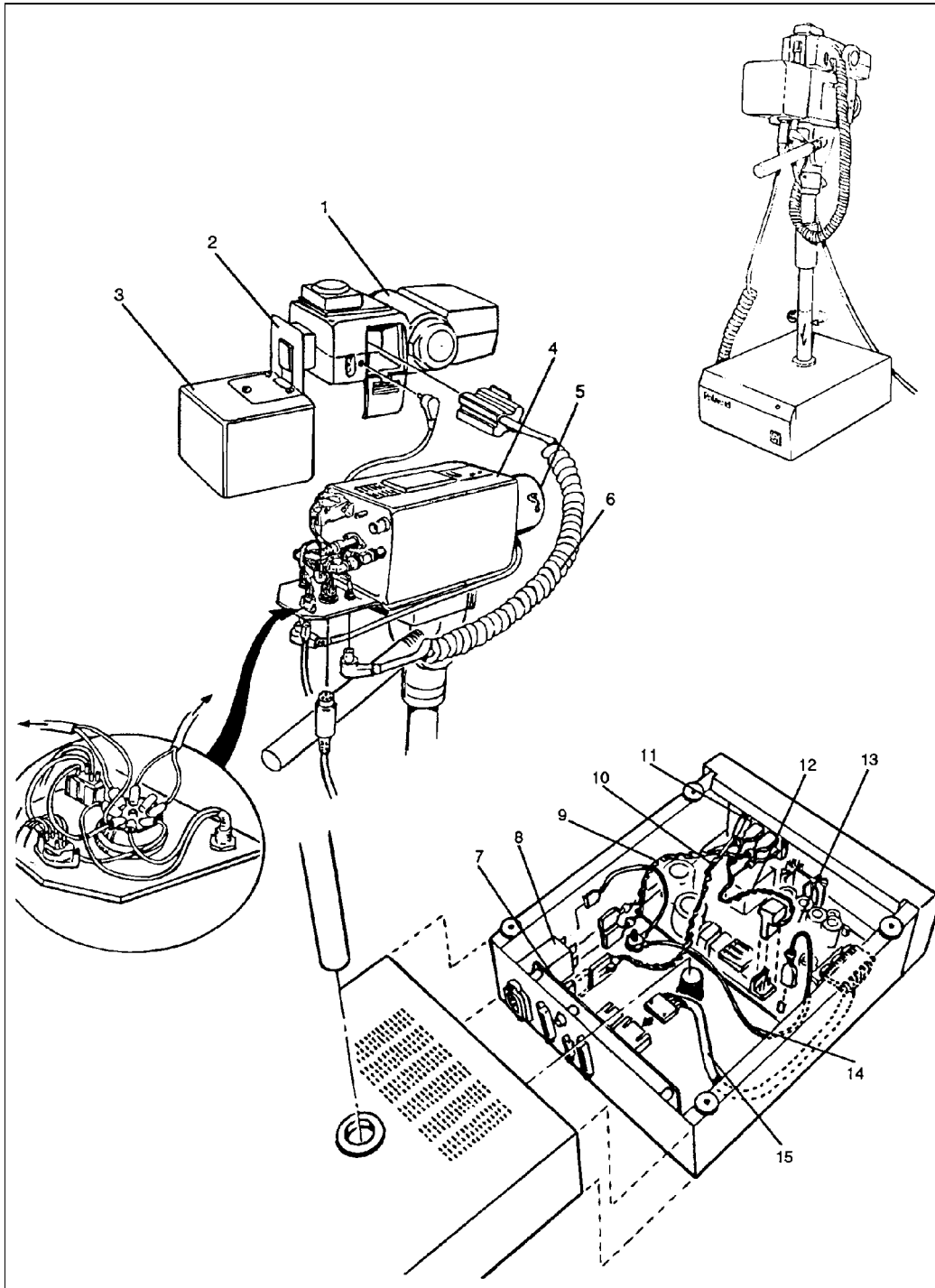




PARTS LIST 3  
ID-4000 CONTROL UNIT

KEY NO.	PART NO.	PART NAME
1	1D9789A	NCR 3333 Computer Model 3020
2	1D9791A	1.44 Floppy Drive 3 1/2"
3	1D9892B	120MB IDE Hard Drive
	1E3829A	340MB IDE Hard Drive
	1E3861A	540MB IDE Hard Drive
	1E3878A	1GB IDE Hard Drive
4	1B0274A	150/250 MB Tape Drive
5		Computer Boards:
	1D9786A	Cardinal Board [slot 6]
	1B2150A	Support Board [slot 4]
	1D9897A	BoCA I/O Board [slot 3] Optional
	1D9880A	Future Domain 850 SCSI Board [slot 1]
6	1E3820A	AT Style 101 Keyboard
7	1E3819A	Microsoft Mouse
Not shown	1D9792A	4MB SIMM Board

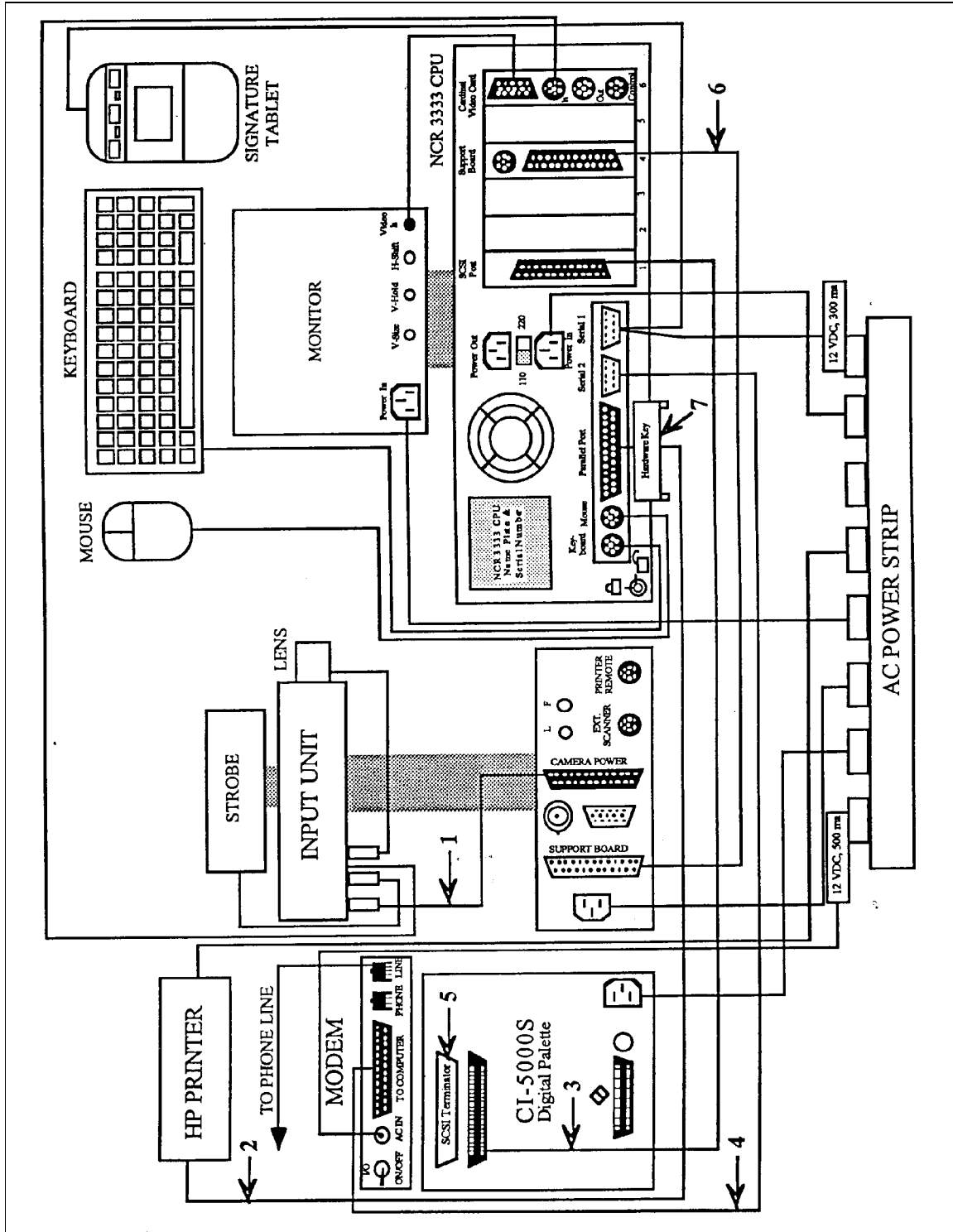
PLATE 4  
ID-4000 CAMERA, STROBE AND BASE



PARTS LIST 4  
ID-4000 CAMERA, STROBE AND BASE

KEY NO.	PART NO.	PART NAME
1	1A6001A	Strobe Assembly
2	1D6626A	Strobe Bracket
3	1D6624A	Box
4	1D9787A	JVC TK1070 Color Camera
5	1A9944A	16mm Auto-Iris Lens
6	1D5278A	Strobe Battery Module Cable
7	1D5463A	Camera/Support Interface Board
8	766642B	Line Filter Assembly
9	1A3878A	Power Switch Cable
10	1D6983A	Indicator LED Power Assembly
11	766177A	Power Switch
	1A3880A	Power Supply Cable
13	1A4567A	Power Supply Module Switching
14	1A3881A	Ground Wire
15	1B2772A	Cable Assembly, 6 volt power supply to strobe

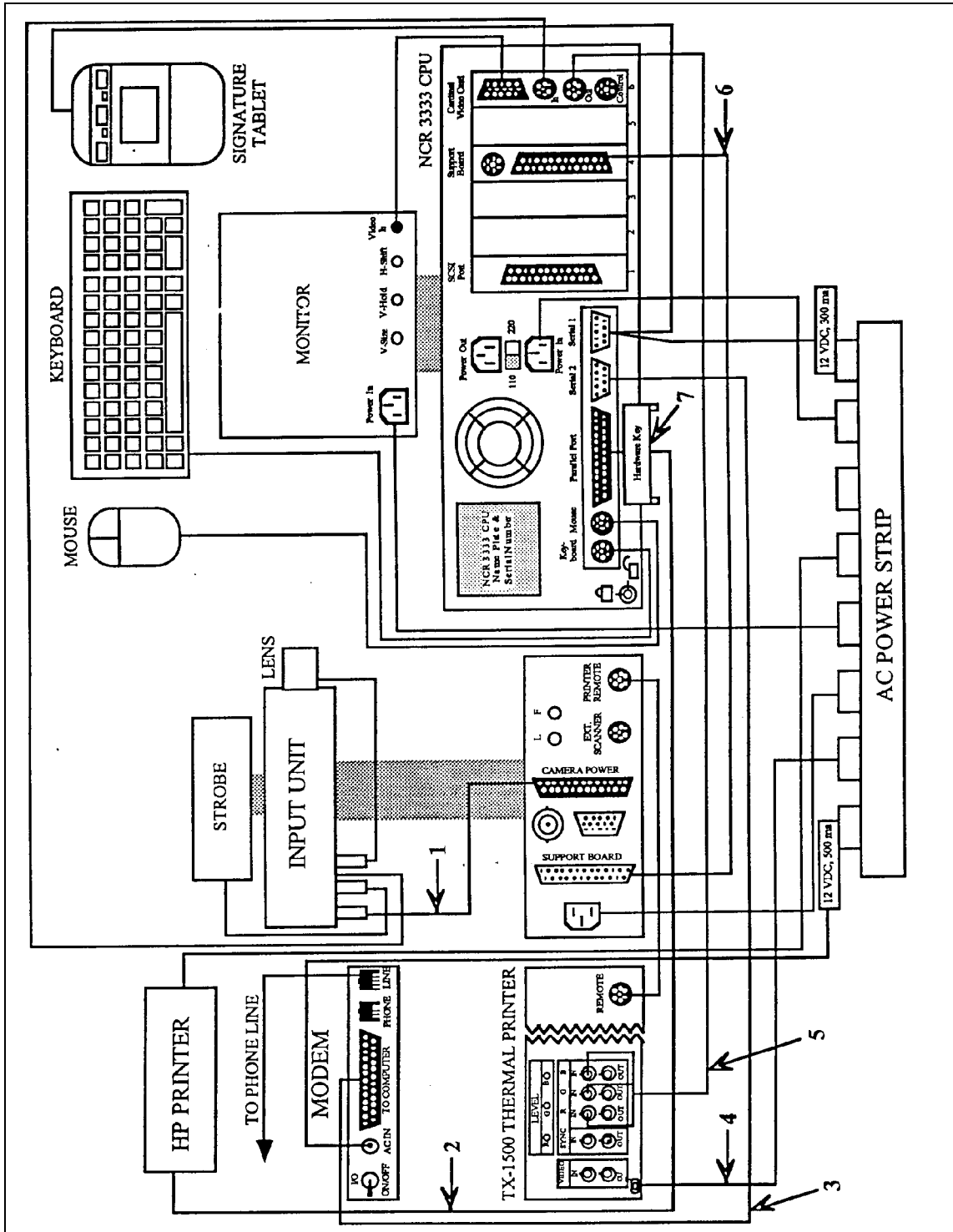
PLATE 5  
ID-4000 FILM SYSTEM CABLES



PARTS LIST 5  
ID-4000 FILM SYSTEM CABLES

KEY NO.	PART NO.	PART NAME
1	1D3157A	Camera Strobe and Lens Cable Assembly
2	1A5556A	Parallel Printer Cable
3	1B0351A	MAC SCSI Cable
4	1A6463A	Modem Cable
5	1A6748A	SCSI Terminator
6	1B2174A	Support Board Cable
7	1E3859A	Activator Software Lock

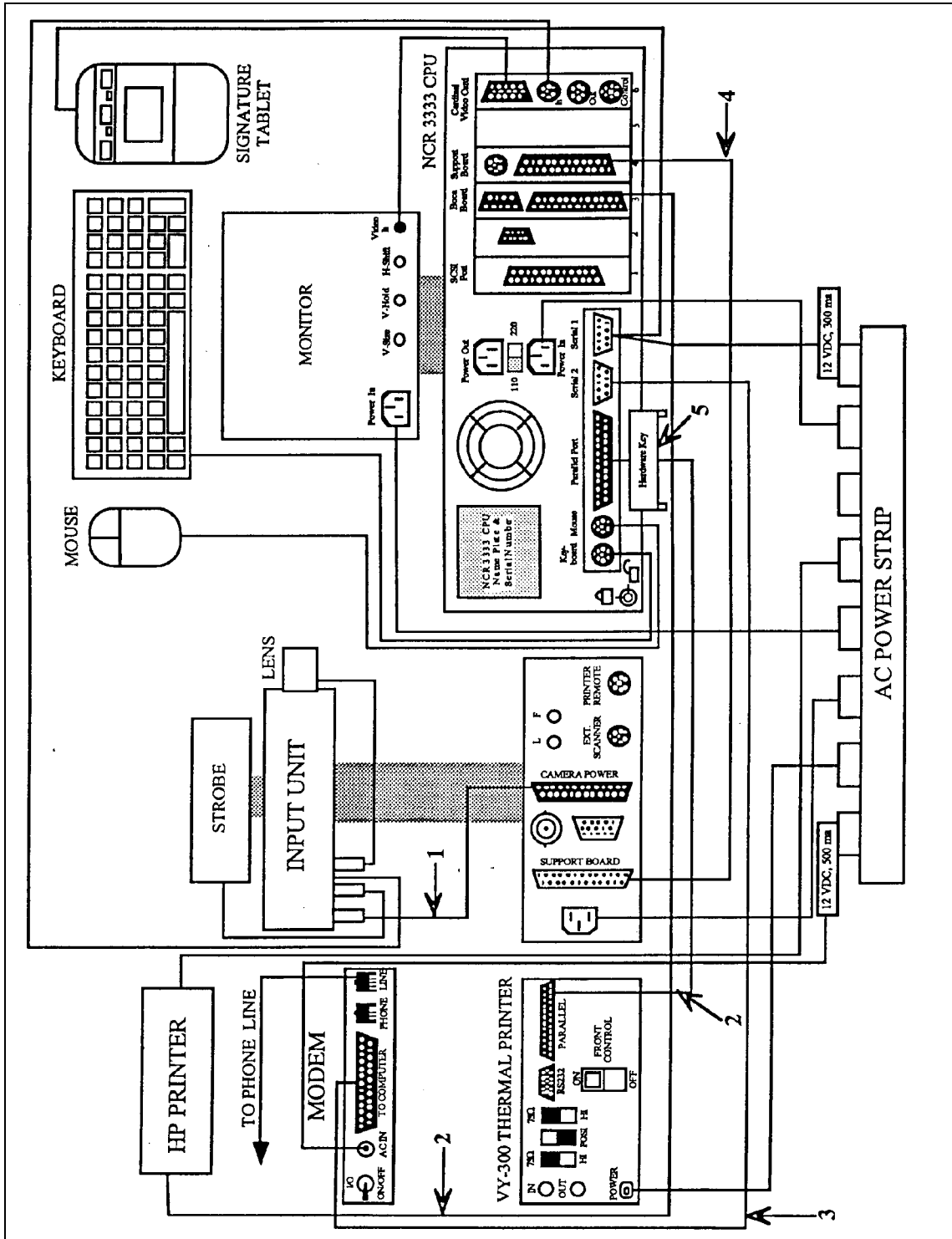
PLATE 6  
 ID-4000 TX-1500 THERMAL SYSTEM CABLES



PARTS LIST 6  
ID-4000 TX-1500 THERMAL SYSTEM CABLES

KEY NO.	PART NO.	PART NAME
1	1D3157A	Camera Strobe and Lens Cable Assembly
2	1A5556A	Parallel Printer Cable
3	1A6463A	Modem Cable
4	5M006301	8-Pin Mini-DIN M/M 6 foot Cable
5	1D3162A	Cardinal Snap Plus Cable
6	1B2174A	Support Board Cable
7	1E3859A	Activator Software Lock

PLATE 7  
 ID-4000 TX-2000 THERMAL SYSTEM CABLES

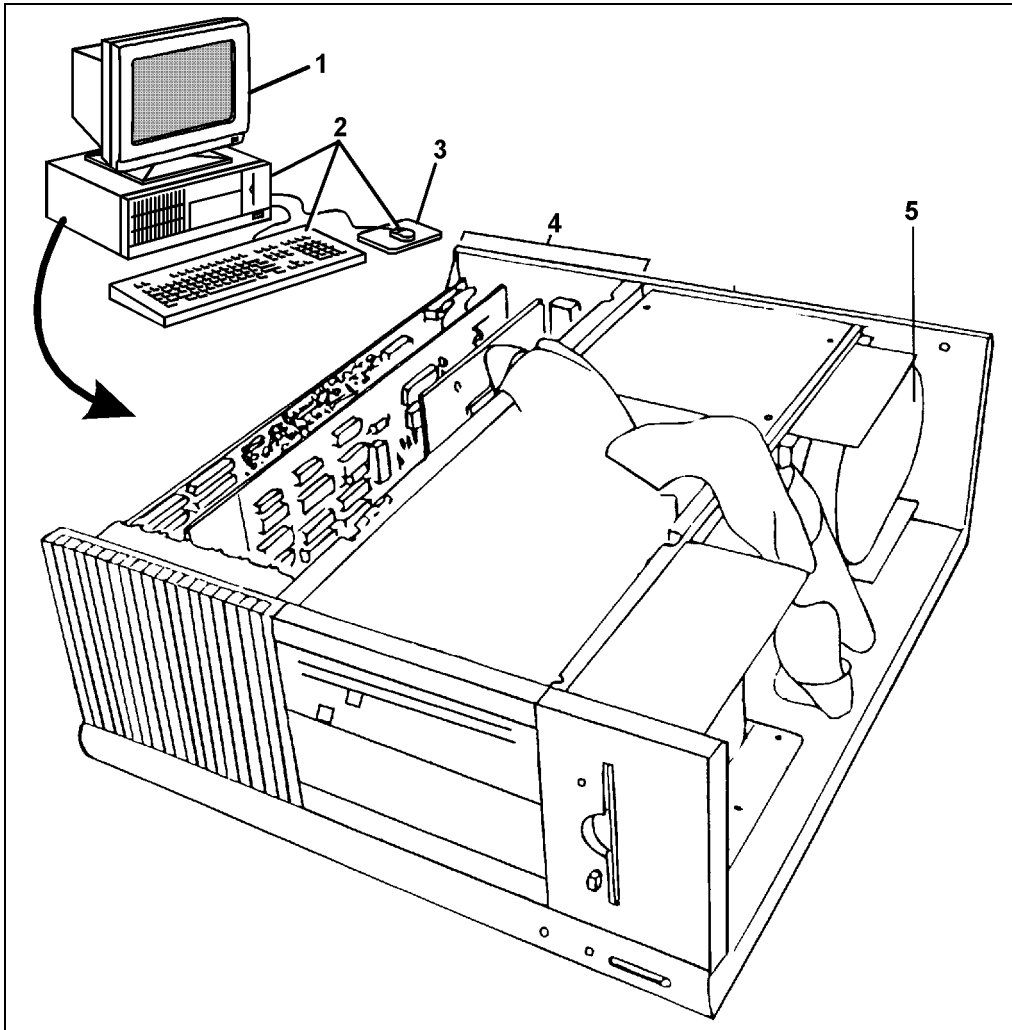




PARTS LIST 7  
ID-4000 TX-2000 THERMAL SYSTEM CABLES

KEY NO.	PART NO.	PART NAME
1	1D3157A	Camera Strobe and Lens Cable Assembly
2	1A5556A	Parallel Printer Cable
3	1A6463A	Modem Cable
4	1B2174A	Support Board Cable
5	1E3859A	Activator Software Lock

PLATE 8  
ID-4000 VERIFICATION STATION



PARTS LIST 8  
ID-4000 VERIFICATION STATION

KEY NO.	PART NO.	PART NAME
1	1B8397B	HP 13" Color Monitor
2	1D9789A	NCR 3333 Computer Model 3020
3	128515	Mouse Pad
4		Computer Boards:
	1D9880A	Future Domain TMC 850M SCSI Board
	1E3877A	3C509 Combo Ethernet Adapter
	1E7328A	NCR K051 SVGA Video Board (Basic VS only)
	1D9786A	Cardinal Snap Plus Board (Advanced VS only)
5	1D5468A	120MB SCSI Hard Drive
Not shown	797377A	Power Strip
Not shown	1E3859A	Activator Software Lock

PARTS LIST 9  
ID-4000 OPTIONS

PART NO.	PART NAME
1E3828A	Crystal Reports Pro
1E3822	AT&T Paradyne Modem 14.4
1E3824A	Close-Up Version 5.0
1A9849C	Fastback Plus for DOC Ver 6.0
1A9851A	DC6150 Tape Cartridge
1A9851B	DC6250 Tape Cartridge
1D2195A	Calibration Target
1E3825A	SQL Base Gupta
1E3897A	ELCOM Magnetic Stripe Encoder IAT8ER-RS
1E3894A	ELCOM Magnetic Stripe Encoder A4ER- RSLOCO
1A6466D	HP LaserJet IV Assembly
1A6705A	Bar Code Label Printer 3000A (110 Volts)
1A6705B	Bar Code Label Printer 3000A (220 Volts)
1E6415A	Bar Code Fonts (Code 39)
1E7330A	Nisca PVC Printer
1E7335A	Nisca PVC Printer User's Manual
1B7847B	SCSI Cable (Centronics 50-pin m/m)
1E7334A	Adaptec AHA-1542CF Kit (SCSI board and software)